

SEBO
airbelt **K2**



IMPORTANT SAFETY INSTRUCTIONS

When using an electric appliance, basic precautions must always be followed, including the following:

READ ALL INSTRUCTIONS BEFORE USING THIS MACHINE

WARNING: To reduce the risk of fire, electric shock, or injury:

1. Do not leave appliance when plugged in. Unplug from outlet when not in use and before servicing.
2. Do not use outdoors or on wet surfaces.
3. Do not use near small children or pets. Do not allow to be used as a toy. Close attention is necessary when used by or near children.
4. Use only as described in the manual. Use only manufacturer's recommended attachments.
5. Do not use with damaged cord or plug. If appliance is not working as it should, has been dropped, damaged, left outdoors, or dropped into water, return it to a service center.
6. Do not pull or carry by cord, use cord as a handle, close a door on cord, or pull cord around sharp edges or corners. Do not run appliance over cord. Keep away from heated surfaces.
7. Do not unplug by pulling on cord. To unplug, grasp the plug, not the cord.
8. Do not handle plug or appliance with wet hands.
9. Do not put any object into openings. Do not use with any opening blocked; keep free of dust, lint, hair, and anything that may reduce air flow.
10. Keep hair, loose clothing, fingers, and all parts of body away from openings and moving parts. Do not place fingers or other body parts under vacuum unless unplugged.
11. Do not pick up anything that is burning or smoking, such as cigarettes, matches, or hot ashes.
12. Do not use without dust bag and/or filters in place.
13. Turn off all controls before unplugging.
14. Use extra care when cleaning stairs.
15. Do not use to pick up flammable or combustible liquids such as gasoline or use in areas where they may be present.
16. Machines can cause a fire when operated near flammable vapors or materials. Do not operate this machine near flammable fluids, dust or vapors.
17. Maintenance and repairs must be done by qualified personnel.
18. Use only identical replacement parts. See instruction for servicing of appliances.
19. Do not use machine as a step.
20. If used on plush carpet with thick padding, do not leave machine in one place with machine turned on.
21. The hose contains electrical wires. Do not use if damaged, cut or punctured. Avoid picking up sharp objects.
22. Always turn off the appliance before connecting or disconnecting either hose or motorized nozzle.
23. While the machine is in use, the power cord should be unwound from the cable reel at least two thirds of its length. Hold plug when rewinding onto the cord reel. Do not allow plug to whip while rewinding.
24. Do not re-use or wash the filters.
25. Do not remove any screws.
26. Do not place power head over if applicable rug or carpet edges.

**SAVE THIS INSTRUCTIONS
FOR HOUSEHOLD USE ONLY**

SEBO vacuum cleaner warranty

Three-years Non-wear Parts - One Year Labor

SEBO will provide the original product purchaser with replacement of Non-Wear Parts which fail due to a material or workmanship defect for a period of three (3) years from the original date of purchase of new product. In addition, SEBO will repair (or will cover labor charges associated with repair) a defective SEBO vacuum cleaner at no cost to the original purchase, within one (1) year of original purchase of new product.

SEBO America or an authorized SEBO dealer must complete all warranty repairs. To locate an authorized SEBO dealer in your area, or to register a warranty claim, please call SEBO America at (800) 334-6614.

The warranties provided for above apply exclusively to SEBO vacuum cleaners which are used residentially. No warranty is provided for SEBO vacuum cleaners used commercially.

"Wear Parts" include paper bags, micro-hygiene filters, exhaust filters, the cable (external cord), the vacuum hose, the brush roller(s), or any attachment accessories.

This warranty applies only while your SEBO vacuum cleaner is physically located within the United States of America and its territories or Canada. The purchase receipt showing the date, price, and item of purchase is the initial document of proof of purchase and determines the validity of warranty. To be certain that your warranty claim can be processed as quickly and efficiently as possible, please retain the copy of your original purchase receipt.

This warranty gives you specific legal rights. You may also have other legal rights/ which may vary from state to state.

Exclusive Remedy: The remedies provided under the terms of this warranty are the purchaser's exclusive remedies and are in lieu of any other remedies otherwise available.

What the Warranty does not cover:

- Used or secondhand products
- Products outside of the warranty period
- Items not manufactured by SEBO
- Normal maintenance service
- Equipment damaged by improper use, accident, other casualty or negligence
- Machines equipped with nonauthorized attachments or modifications.

Limitations and exclusions

SEBO makes no other representations or warranties, expressed or implied, and specifically excludes the implied warranties of merchantability and fitness for particular purpose.

SEBO will not be liable for incidental or consequential damages of any kind or nature.

This disclaimer of implied warranties shall not apply to the extent said disclaimer is not allowed by applicable state/provincial law.



Technical data:

Motor:	12 amps max./10,6 amps average
Suction:	110 inches
Air flow:	120 CFM
Filterbag:	0,8 gal.
Weight:	12,1 lbs
Sound:	63 dbA
Length:	16,1 inches
Width:	12,9 inches
Height:	9,4 inches

Thank you for choosing SEBO. We are sure that you will enjoy using your new SEBO vacuum cleaner.

For optimum and safe operation of this product, please carefully read this instruction manual - including the safety and warning notes - before use. Please fill in your warranty card.

The machine serial number can be found in the handle recess of the machine.

Developed and manufactured in Germany using the latest technology, your new SEBO is designed to give long life, excellent performance and ease of use. The powerful suction, light weight and high filtration technology set new performance standards. With three castor wheels, excellent furniture protection from its patented air belt shock absorber, professional attachments, an ergonomic handle, electronic power adjustment and a lightweight telescopic tube, the SEBO *air belt* K2 guarantees easy operation

Box contents

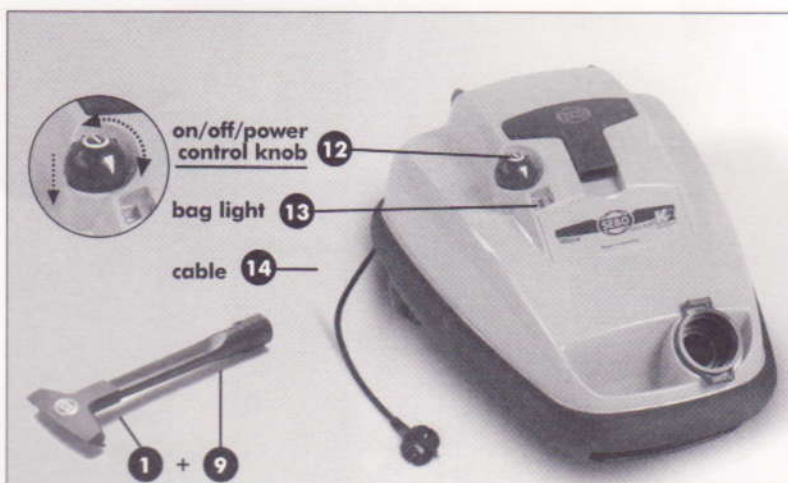
SEBO *air belt* K2 machine (incl. attachments), handle with hose, telescopic tube and combination nozzle.

Assembly

- Push the hose end (2) into the neck (4) until it clicks into the retaining ring (3).
- Push the telescopic tube (7) onto the hose handle (5) until it clicks into place.
- Push the combination nozzle (11) onto the lower end of the telescopic tube (7a) until it clicks into place.
- Additional attachments (K2 komfort) like the floor turbo brush and parquet brush fit on in the same way.
- The clamp for the dusting brush fits onto the telescopic tube.

Telescopic tube, combination nozzle and the attachments

- To adjust the height of the telescopic tube (7) use the slide button (8).
- The combination nozzle (11) can be adjusted for carpets (bristles in) or hard floors (bristles out) by using the pedal (10).
- The crevice nozzle (9) is located in the rear of the machine, opposite the plug recess. The crevice nozzle fits onto the hose handle (5) as well as onto the lower end of the telescopic tube (7a). The upholstery nozzle (1) is located on the top of the machine. To use, fit it to the end of the crevice nozzle.



Operation

- Use your SEBO vacuum cleaner only at the voltage stated on the type plate, which can be found in the handle recess of the machine.

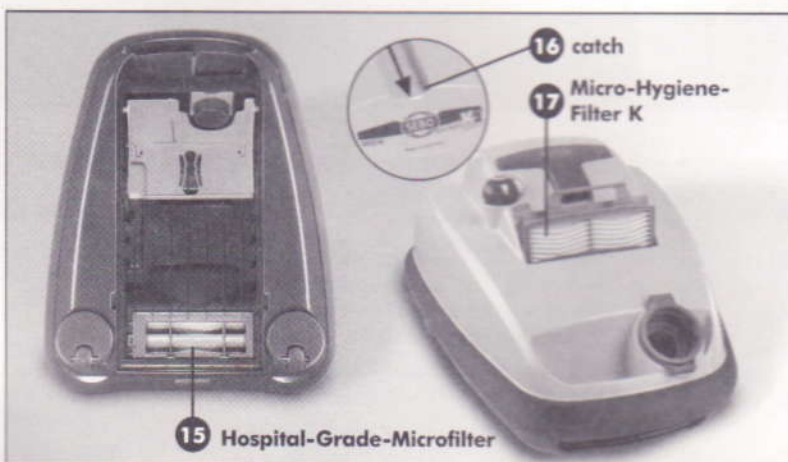
- To extend the cable (14), firmly grip the plug on the upper and lower sides and pull. Please do not

try to pull the plug out by a pin. Ensure the whole cable is extracted before plugging in.

- To switch on, press down on the on/off power control knob (12).

- To adjust suction power, rotate the on/off/power control knob.

- Push the control knob again to switch off the machine after use. Pull the plug out of the socket. To retract the cable, pull on it near the plug recess and the mechanism will automatically rewind.



Bag Light

- The orange bag light (13) indicates a blockage or a full filter bag.

- The light only works correctly at full power. At lower power levels, the bag light might indicate incorrectly. Check the status regularly at full power.

Microfilter K and Micro-Hygiene Filter K

- Your SEBO *air belt* K2 has a unique microfilter-system, in which the air flows through three high efficiency microfilters - the Ultra-Filter bag (20), the Hospital-Grade Microfilter K (15) and the Micro-Hygiene Filter K (17).

- We recommend changing both filters after using between 16 - 24 filterbags or if they have become very dirty (e.g. after vacuuming builders/DIY dust).

- A set of both Microfilters is available in the Microfilter-Box (Art.-No. 6696 AM).

- The Hospital-Grade Microfilter K (15) can be pulled out once the filter bag cover has been removed by sliding it up and out of the two grooves.

- To replace the filter bag cover, slide it back into the two grooves. Please ensure that the bottom of the filter bag is placed into the filterbag cover before closing.

- The Micro-Hygiene Filter K (17) can be changed by removing the printed cover on top of the machine. To release the cover lift the catch (16) in the upholstery nozzle recess.

- Pull out the Micro-Hygiene Filter K using its handle and fit the new filter in the same position. The filter handle points towards the upholstery nozzle when it is folded down.

- Replace the cover and push it

Caution:

Always switch off and unplug the machine before changing filterbags,



Changing the filter bag

- The orange bag light (13) indicates a blockage or a full filter bag.

- Vacuuming fine dust may require an earlier change even though the filter bag is not full. Fluff may overfill the bag.

- To change the filter bag, put the machine upright and press the catch (22) to unlock the filter bag cover (19).

- Follow the diagrams printed on the filter bag to replace the filter bag.

- Please ensure that the filter bag top (23) is located properly on both sides of the holder (21) and pushed in until it locks.

- The cover can only be closed with a properly attached filter bag.

- Used filter bags can be sealed with a cap, which is included in the SEBO Filterbox K (Art.-No. 6629 AM) and the SEBO Service Box K (Art.-No. 6695 AM).

Clearing blockages

- Clear blockages in the hose by squeezing the retaining ring (3) together and remove the hose from the neck. Next, release the hose from the hose handle by pressing the catch. Put the end of the hose from the hose handle into the neck.

- Turn the machine on at full power and close the free end of the hose repeatedly with your hand.

- Always ensure that the filters are not clogged.

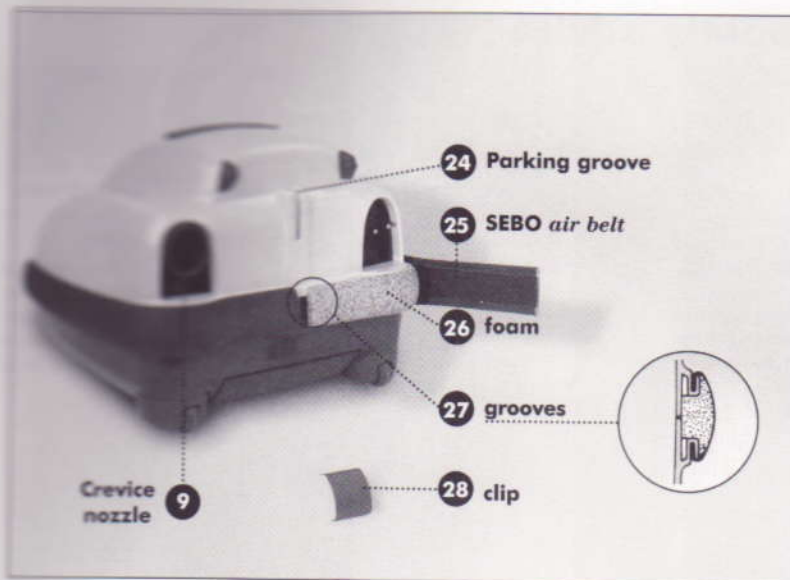
- Never use a stick to clear the hose.

Parking groove / Carrying groove

When the vacuum cleaner is not being used, the telescopic tube with floor attachment can be parked in the Parking groove (24) beside the cable recess. For carrying the machine easily, the telescopic tube with floor attachment can be fitted into the Carrying groove (18) on the underside.

Caution:

Never operate the machine with incorrectly fitted filters or without filters, filter bag, air belt or covers.



The SEBO air belt

- Your new vacuum cleaner is fitted with the patented *air belt* shock absorber system, which protects your walls and furniture and eliminates exhaust air blast.

- The *air belt* (25) can easily be changed. Take the clip (28) off and remove the *air belt*. The foam part (26) stays on the machine. To fit the new *air belt*, slot the side rails into the grooves (27). Start at the back and proceed round the machine. Secure the ends with the clip (28).



Maintenance of the Floor Turbo Brush SEBO TT-C

- Clean the turbine, internal parts and the brush roller regularly.
- Hair can be removed from the brush roller with scissors, but care must be taken not to cut into the bristles.
- For more detailed information please read the separate instruction manual for the SEBO TT-C.

SEBO TT-C Floor Turbo Brush (optional)

The Floor Turbo Brush is excellent for use on rugs and removes pet hairs easily. It can be used on hard floors, if they have a smooth surface. Floor adjustment is automatic.

Caution:

Never operate the machine without an *air belt*. The filters must not be washed.

Caution – Safety advice

This is an electrical appliance. Disconnect from mains before changing bag or filters.

- The cable must only be changed by the manufacturer.
- Only connect to mains outlets which correspond with the type plate in the handle recess.
- The hose and handle contain electrical parts. Do not immerse them in liquid or get them wet. Inspect the hose frequently for damage. Do not use a damaged hose.

- Children must be strictly supervised.
- Vacuum dry surfaces only.
- Do not expose to liquid or moisture.
- Do not vacuum hot material such as ash.
- Do not vacuum humans or animals.
- Do not wash filters.
- Do not re-use bags.
- Only use genuine SEBO replacement items.

- No user serviceable internal parts.
- Pull out cable fully for prolonged use.
- Do not handle a damaged cable.
- The warranty will be invalidated if the above advice is ignored. It is the user's responsibility to operate this appliance safely and carefully.



In the USA:

SEBO America, LLC

7472 S. Tucson Way, Suite 190
Centennial, CO 80112

In Canada:

FLOOR CARE EQUIPMENT LTD.

3410 – 25th Street N.E.
Calgary, Alberta T1Y 6C1

Tel. (800) 334-6614
(303) 792-9181
Fax (303) 792-9196

E-mail: info@sebo-vacuums.com
www.sebo-vacuums.com

Tel. (403) 250-5005
Fax (403) 250-5057